



The **IK e 15 BS sprayer** is a backpack battery sprayer manufactured under high standards of quality, robustness, reliability, and safety. It offers a professional spraying solution thanks to its easy operation, simple maintenance and battery life.

It includes a 4 nozzle special kit for disinfection and pest control. It offers two working positions that allows users to select the most suitable operating mode for each type of application and droplet size.



Sectors in which to use

- Cleaning and disinfection
- Pest control
- Epidemics & virus control

Products with which to use

- optimal** Disinfectants, neutral products, solvent-based pesticides, alcohols, oils, solvents and petroleum by-products



IK e 15 BS

- Oils, solvents and petroleum by-products
- Acids
- Alkalis and ketones
- Alcohols
- Disinfectants (sodium hypochlorite max. 10%, quaternary ammonium, hydrogen peroxide)
- Solvent based pesticides
- Neutral products

L Optimal **✓** Limited **✗** Not valid

Technical information

Technical information	IK e 15 BS
VALVE	No
HOSE	1.5 m - 59 inches
STANDARD NOZZLES	Special nozzle kit for disinfection and pest control
LANCE	50 cm - 19.6 inches stainless steel
USEFUL CAPACITY	15 L - 4 US gal
TOTAL CAPACITY	16 L - 4.2 US gal
GROSS WEIGHT	5.1 kg - 11.2 lb
NET WEIGHT	4.3 kg - 9.5 lb
AUTONOMY	180 L - 325 L

Logistics data

Logistics data	IK e 15 BS
CODE	8.30.75
EAN	84.14685.04020.6
CONDITIONING	1 unit
UNITS PER PALLET	21 units
DIMENSIONS PER PALLET EU	1200 x 800 x 1180

Functional information

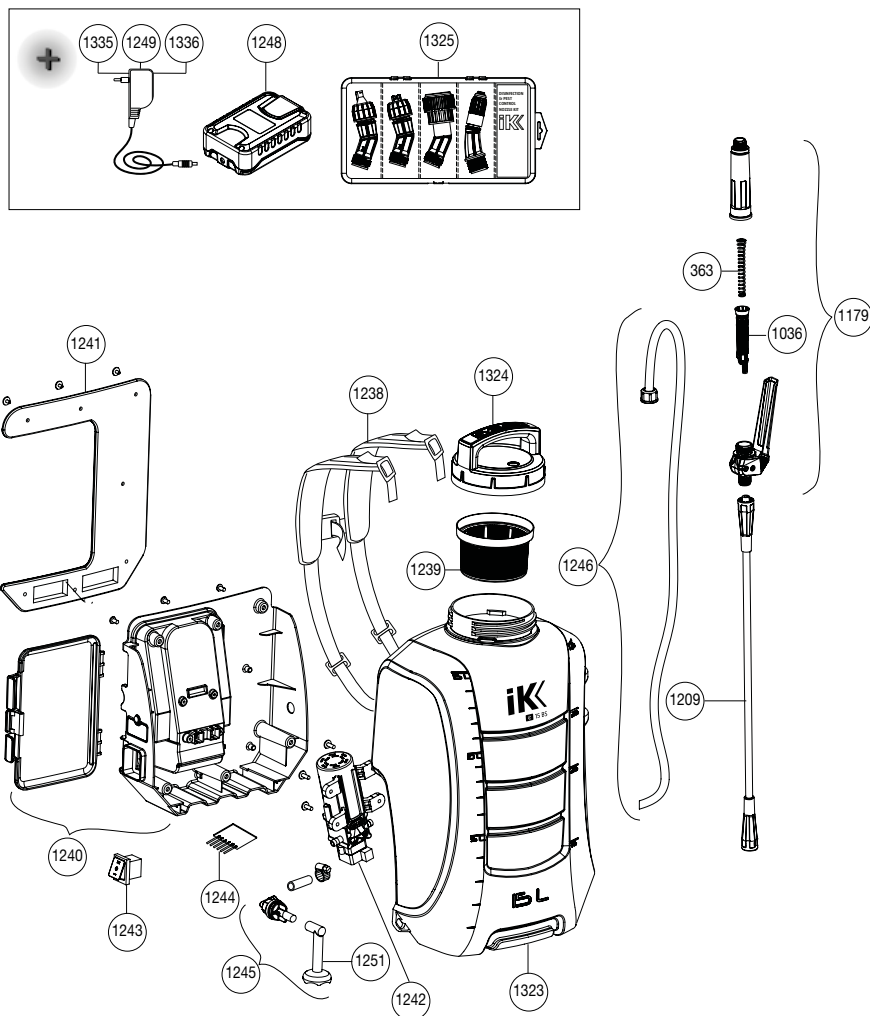
Translucent tank with level indicator	Large filling opening	Integrated ergonomic carrying handle	Stainless steel handle	Stainless steel lance	Lance grip	Special nozzles for disinfection and pest control	Padded adjustable straps with click closure	Long-life 18V lithium battery	Dual position electronic control for homogeneous spraying (PI Pest Control/ PII Disinfection)



SPARE PARTS



Extend the service life of your sprayer easily replacing parts



N.	COD.	Q	SPARE PARTS NAME
363	8.39.41.342	1	FILTER SPRING
1036	8.49.41.812	1	FILTER WITH GASKET
1179	8.18.75.816	1	COMPLETE HANDLE
1209	8.32.72.828	1	LANCE TUBE
1238	8.30.45.607	1	STRAP
1239	8.30.45.302	1	FILTER
1240	8.30.45.603	1	COMPLETE TANK BASE
1241	8.30.45.804	1	BACKREST WITH SCREWS
1242	8.30.45.808	1	PUMP
1243	8.30.45.813	1	3 POSITION SWITCH
1244	8.30.45.818	1	ELECTRONIC BOARD
1245	8.30.45.605	1	ABSORPTION SYSTEM
1246	8.30.45.806	1	REPLACEMENT HOSE
1248	8.30.45.816	1	BATTERY (LITHIUM-ION)
1249	8.30.45.817	1	LITHIUM-ION CHARGER
1251	8.30.45.329	1	ABSORPTION FILTER
1323	8.30.75.301	1	IK e 15BS TANK
1324	8.30.75.602	1	IK e 15BS CAP
1325	8.30.75.901	1	DISINFECTION AND PEST CONTROL NOZZLE KIT
1335	8.30.45.831	1	USA-LITHIUM-ION CHARGER
1336	8.30.45.832	1	UK-LITHIUM-ION CHARGER
	8.30.75.200	1	IK e 15BS INSTRUCTION SHEET
	8.30.75.201	1	IK e 15BS PACKAGING

