



The **IK MULTI Pro 9-12 sprayers** are characterised by maximum performance in terms of ergonomics, ease of use and safety. They offer a professional spraying solution to achieve optimal results in a wide range of sectors.
They are designed for maximum strength and versatility with the most aggressive chemicals. Particularly resistant to acids.



Sectors in which to use

- Building
- Cleaning and disinfection
- Industry and maintenance
- Automotive and detailing
- Pest control
- Epidemics & virus control
- Air conditioning (HVAC)

Products with which to use

- optimal** Disinfectants, neutral products, acids
- limited** Solvent-based pesticides, alcohols, oils, solvents and petroleum by-products



	IK MULTI/ IK MULTI Pro
Oils, solvents and petroleum by-products	L
Acids	✓
Alkalis and ketones	✗
Alcohols	L
Disinfectants	✓
Solvent based pesticides	L
Neutral products	✓

L Optimal ✓ Limited ✗ Not valid

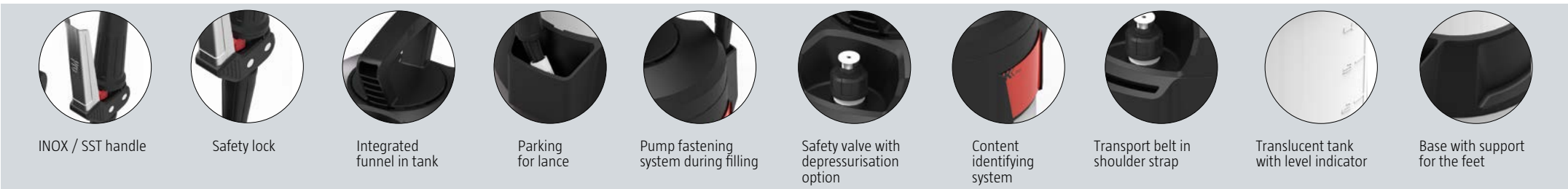
Technical information

Technical information	MULTI Pro 9	MULTI Pro 12
VALVE	Tared at 3 bar - 43.5 psi depressurizable with automatic depressurization option	
HOSE	1.5 m - 59 inches	
STANDARD NOZZLES	Adjustable conical nozzle and fan	
LANCE	47 cm - 18.5 inches fibreflass	
USEFUL CAPACITY	6 L - 1.58 US gal	8 L - 2.11 US gal
TOTAL CAPACITY	8 L - 2.11 US gal	10 L - 2.64 US gal
LITRES/MIN. 3 BAR	0.50 l/min - 0.13 gal/min	
GROSS WEIGHT	2.71 kg - 5.97 lb	2.99 kg - 6.59 lb
NET WEIGHT	2.33 kg - 5.13 lb	2.57 kg - 5.66 lb

Logistics data

Logistics data	MULTI Pro 9	MULTI Pro 12
CODE	8.26.72	8.26.71
EAN	84.14685.10202.7	84.14685.10201.0
CONDITIONING	1 unit	
UNITS PER PALLET	28 units	
DIMENSIONS PER PALLET EU	1200 x 800 x 1050	

Functional information



INOX / SST handle

Safety lock

Integrated funnel in tank

Parking for lance

Pump fastening system during filling

Safety valve with depressurisation option

Content identifying system

Transport belt in shoulder strap

Translucent tank with level indicator

Base with support for the feet



ACCESSORIES Personalize your sprayer adapting it to your application needs (height, hard-to-reach areas...)



FLEX PIPE 0.5 M - 19.68 INCH
Reference 8.38.77.813

A flexible pipe of 0.5 m - 19.68 inch for applications in places that are hard to reach. Do not use it with acid or corrosive products.



FLEX PIPE 0.25 M - 9.84 INCH
Reference 8.38.77.810

A flexible pipe of 0.25 m - 9.84 inch for applications in places that are hard to reach. Do not use it with acid or corrosive products.



3.2 M - 10.5 FEET TELESCOPIC LANCE
Reference 8.35.40.913

A fibreglass lances of 3.2 m - 10.5 feet and 5.4 m - 17.7 feet for high spraying. Adaptable to sprayers and compression sprayers (5 L to 20 L - 1.32 gallons to 5.28 gallons). Do not use with acids or solvents.



5.4 M - 17.7 FEET TELESCOPIC LANCE
Reference 8.35.40.915



EXTENSION 0.5 M - 19.68 INCH
Reference 8.34.60.943

A fibreglass extension of 0.5 m - 19.68 inch for horizontal and vertical applications in places that are hard to reach. Light, manageable and easy to assemble.



6-METER HOSE - 19.68 FEET
Reference 8.26.71.836

The 6 metre - 19.68 feet reinforced 12 mm - 0.47 inch (diameter) hose is the perfect and easy to assemble complement for your IK sprayers. Thanks to it, you will be able to reach the most distant places with greater ease of movement, avoiding pinching. It is made of a material that is resistant to both acids and foaming agents, as well as to most chemicals in the professional cleaning sector.



IDENTIFICATION CARDS OF IK PRO CONTENT
Reference 8.26.71.875

Colour cards to identify deposit content between devices of the same line. Reversible, providing two colours on a single card, with the option to write on it; reusable and easy to use. There are two type of cards available: Red/Green and Yellow/Blue.



1.5 M - 4.92 FEET REINFORCED PVC HOSE
Reference 8.26.71.870

12 mm - 0.47 inch diameter hose. It is easy to manoeuvre and chemically resistant.



IK HANDLE (INOX)
Reference 8.26.71.872

Versatile handle adaptable to your application needs.



FIBREGLASS TUBE WITH NUTS
47 CM - 18.5 INCH
Reference 8.26.71.873

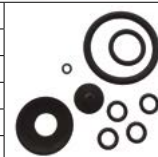
Robust and versatile tube lance of 47 cm - 18.5 inch.

MAINTENANCE KITS Keep your sprayer always ready and get maximum performance



IK Multi Pro 9-12 MAINTENANCE KIT
Reference 8.26.71.874

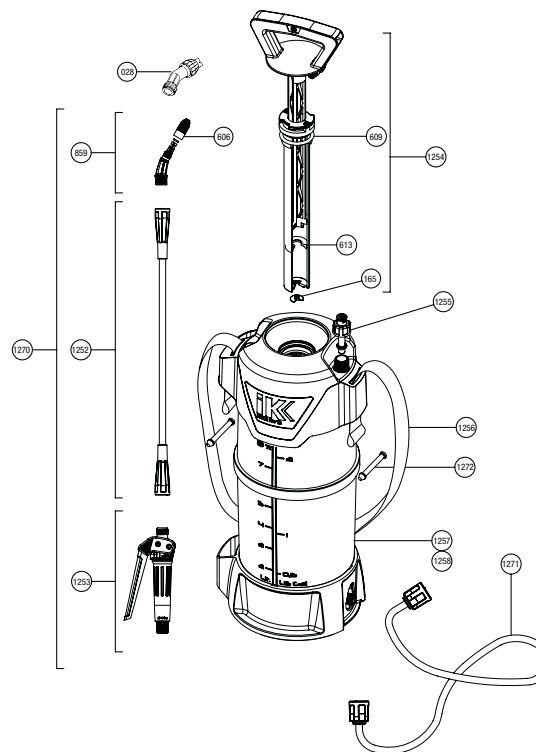
ROUND JOINT AN-8 N. 614	2.23.16.908
ROUND JOINT AN-16 N. 259	2.23.16.916
ROUND JOINT AN-30 N. 609	2.23.16.930
COLLAR SEAL N. 613	8.38.11.314
CHAMBER VALVE N. 165	8.38.05.314.1
ROUND GASKET AN-5 N. 607	2.23.16.905



IK Multi Pro 9.12 NOZZLE KIT
Reference 8.26.71.871

FAN ELBOW	8.34.44.815.1	
ELBOW WITH ADJUSTABLE NOZZLE	8.38.11.803	

SPARE PARTS Extend the service life of your sprayer easily replacing parts



N.	COD.	Q	SPARE PARTS NAME
028	8.34.44.815.1	1	COMPLETE ELBOW
165	8.38.05.314.1	1	VALVE
606	8.39.02.323.3	2	NOZZLE Ø 1
609	2.23.16.930	1	ROUND JOINT AN-30
613	8.38.11.314	1	COLLAR SEAL
859	8.38.11.803	1	ELBOW WITH NOZZLE
1252	8.26.71.828	1	IK PRO TUBE WITH NUTS
1253	8.26.71.821	1	IK PRO HANDLE
1254	8.26.71.802	1	IK PRO COMPLETE CHAMBER
1255	8.26.71.806	1	IK PRO SAFETY VALVE
1256	8.26.71.420	1	IK PRO STRAP
1257	8.26.71.601	1	IK MULTI PRO 12 TANK
1258	8.26.72.601	1	IK MULTI PRO 9 TANK
1270	8.26.71.822	1	IK PRO COMPLETE LANCE
1271	8.26.71.835	1	HOSE
1272	8.26.71.313	2	BELT PIN
	8.26.71.200	1	INSTRUCTIONS SHEET
	8.26.72.201	1	IK MULTI PRO 9 PACKAGING
	8.26.71.201	1	IK MULTI PRO 12 PACKAGING