



The **IK MULTI Pro 2 360° sprayer** is well known by its maximum performance in terms of ergonomics, ease of use and safety. It offers a professional spraying solution to achieve optimum results in a wide range of sectors.

IK MULTI Pro 2 360° is designed for maximum strength and versatility with the most aggressive chemicals.

This sprayer is particularly resistant to acids.

360°system to spray in all positions upside down spraying.



Sectors in which to use

- Building
- Cleaning and disinfection
- Industry and maintenance
- Automotive and detailing
- Pest control
- Epidemics & virus control
- Air conditioning (HVAC)

Products with which to use

optimal Disinfectants, neutral products, acids

limited Solvent-based pesticides, alcohols, oils, solvents and petroleum by-products



**IK MULTI /
IK MULTI Pro**

Oils, solvents and petroleum by-products	L
Acids	✓
Alkalis and ketones	✗
Alcohols	L
Disinfectants	✓
Solvent based pesticides	L
Neutral products	✓

L *Optimal* ✓ *Limited* ✗ *Not valid*

Technical information

Technical information	MULTI Pro 2 360°
VALVE	Tared 2.5 bar - 36 psi despresurizable
STANDARD NOZZLES	Adjustable conical nozzle and fan
USEFUL CAPACITY	1.5 L - 50 oz
TOTAL CAPACITY	1.9 L - 64.2 oz
LITRES/MIN. 3 BAR	0,5 l/min. - 0,13 gal/min.
GROSS WEIGHT	0,7 kg - 1,54 lbs.
NET WEIGHT	0,56 kg - 1,23 lbs.

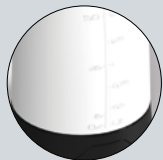
Logistics data

Logistics data	MULTI Pro 2 360°
CODE	8.16.75
EAN	84.14685.10228.7
CONDITIONING	6 units
UNITS PER PALLET	90 units
DIMENSIONS PER PALLET EU	1200 x 800 x 1070

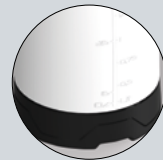
Functional information



360° system



Translucent tank with level indicator



Base for greater stability



Large opening easy filling



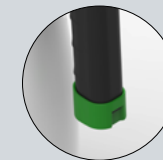
Safety lock



Safety valve with depressurisation option



Protective sleeve for valve chamber



Ability to identify content via coloured caps



Option of fitting other types of nozzles and accessories



ACCESSORIES



Personalize your sprayer adapting it to your application needs (height, hard-to-reach areas...)



CONTENT IDENTIFIER IK 1.5/2
Reference 8.16.71.900
Colour caps to identify deposit content between devices of the same line.

MAINTENANCE KITS



Keep your sprayer always ready and get maximum performance

IK MULTI-FOAM 1.5 - PRO 2 MAINTENANCE KIT
Reference 8.17.71.874



CHAMBER VALVE N. 165	8.38.05.314.1	
ROUND GASKET Ø15 N. 603	2.23.99.43.916	
ROUND GASKET AN-5 N. 607	2.23.16.905	
ROUND GASKET N. 098	2.23.16.990	
ROUND GASKET N. 1269	2.23.16.128	
SHAFT WITH JOINT N. 1285	8.17.71.603	

IK MULTI 1,5 / PRO 2 NOZZLE KIT
Reference 8.17.71.871

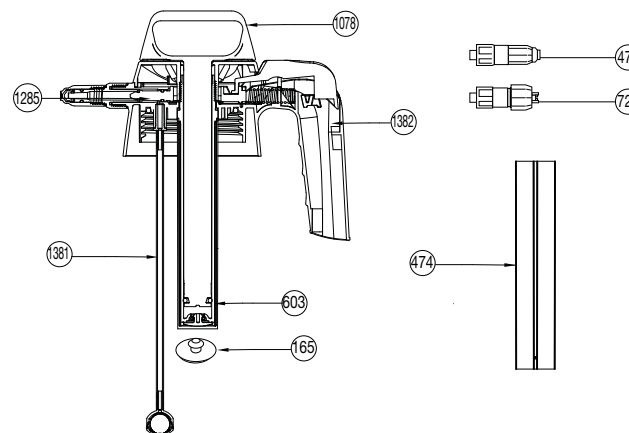
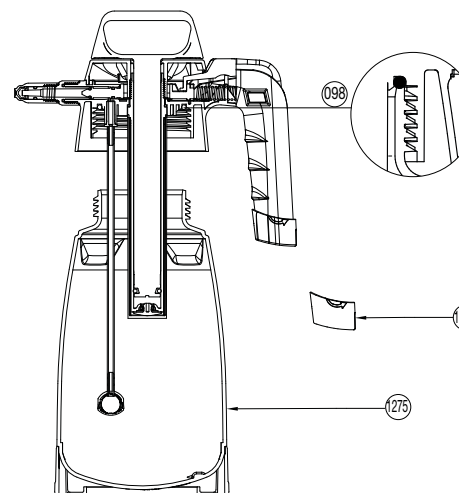


M12 COMPLETE ADAPTER	8.17.71.601	
M18 COMPLETE ADAPTER	8.17.71.602	

SPARE PARTS



Extend the service life of your sprayer easily replacing parts



N.	COD.	Q	SPARE PARTS NAME
098	2.23.16.990	1	ROUND GASKET
165	8.38.05.314.1	1	CHAMBER VALVE
473	8.17.71.601	1	M-12 ADAPTER WITH ADJUSTABLE CONICAL NOZZLE
474	8.17.71.305	1	CYLINDER GUARD
603	2.23.99.439.16	1	ROUND GASKET Ø15
728	8.17.71.602	1	M-18 ADAPTER WITH FAN NOZZLE
1078	8.17.71.802	1	COVER WITH HANDLE
1275	8.16.71.601	1	FULL TANK
1277	8.16.71.900	1	CONTENT IDENTIFICATION PIECE
1285	8.17.71.603	1	SHAFT WITH JOINT
1381	8.16.75.813	1	VITON FLEXIBLE HOSE
1382	8.16.75.801	1	COMPLETE CHAMBER
	8.16.75.200	1	INSTRUCTION SHEET
	8.16.75.201	1	PACKAGING