



The **IK MULTI 1.5 sprayer** offers a professional spraying solution to achieve optimum results in a wide range of sectors.

IK MULTI 1.5 is designed for maximum strength and versatility with the most aggressive chemicals. This sprayer is particularly resistant to acids.



Sectors in which to use

- Building
- Cleaning and disinfection
- Industry and maintenance
- Automotive and detailing
- Pest control
- Epidemics & virus control
- Air conditioning (HVAC)

Products with which to use

optimal Disinfectants, neutral products, acids

limited Solvent-based pesticides, alcohols, oils, solvents and petroleum by-products



CHEMICAL PRODUCT TABLE

**IK MULTI /
IK MULTI Pro**

Oils, solvents and petroleum by-products	L
Acids	✓
Alkalis and ketones	✗
Alcohols	L
Disinfectants	✓
Solvent based pesticides	L
Neutral products	✓

L Optimal ✓ Limited ✗ Not valid

Technical information

Technical information	MULTI 1.5
VALVE	Tared 2.5 bar - 36 psi despresurizable
STANDARD NOZZLES	Adjustable conical nozzle and fan
USEFUL CAPACITY	1 L - 35 oz
TOTAL CAPACITY	1.5 L - 50 oz
LITRES/MIN. 3 BAR	0.50 l/min - 0.13 gal/min
GROSS WEIGHT	0.60 kg - 1.32 lb
NET WEIGHT	0.46 kg - 1.02 lb

Logistics data

Logistics data	MULTI 1.5
CODE	8.17.71
EAN	84.14685.10170.9
CONDITIONING	6 units
UNITS PER PALLET	90 units
DIMENSIONS PER PALLET EU	1200 x 800 x 960

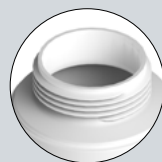
Functional information



Safety valve with depressurisation option



Protective sleeve for valve chamber



Large opening easy filling



Translucent tank with level indicator





ACCESSORIES



Personalize your sprayer adapting it to your application needs (height, hard-to-reach areas...)



FLEX PIPE 0.25 M - 9.84 INCH
Reference 8.38.77.810

A flexible pipe of 0.25 m - 9.84 inch for applications in places that are hard to reach. Do not use it with acid or corrosive products.



13,5 CM - 5.31 INCH LANCE
Reference 8.38.11.831

13,5 cm - 5.31 inch lance in fiberglass for applications of difficult access (inside and outside corners, etc.). This accessory needs an adaptor M18 for the IK HC 1,5 product.



CONTENT IDENTIFIER IK 1.5/2
Reference 8.16.71.900

Colour caps to identify deposit content between devices of the same line.

MAINTENANCE KITS



Keep your sprayer always ready and get maximum performance

IK MULTI-FOAM 1.5 - PRO 2 MAINTENANCE KIT
Reference 8.17.71.874

CHAMBER VALVE N. 165	8.38.05.314.1	
ROUND GASKET Ø15 N. 603	2.23.99.43.916	
ROUND GASKET AN-5 N. 607	2.23.16.905	
ROUND GASKET N. 098	2.23.16.990	
ROUND GASKET N. 1269	2.23.16.128	
SHAFT WITH JOINT N. 1285	8.17.71.603	

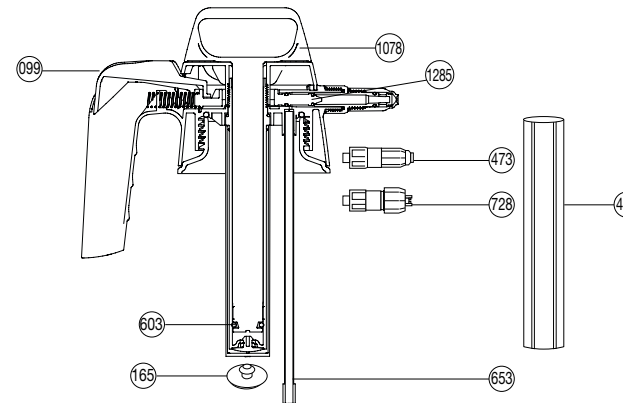
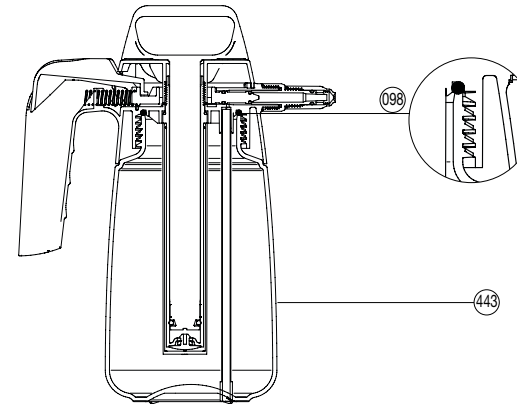
IK MULTI 1,5 / PRO 2 NOZZLE KIT
Reference 8.17.71.871

M12 COMPLETE ADAPTER	8.17.71.601	
M18 COMPLETE ADAPTER	8.17.71.602	

SPARE PARTS



Extend the service life of your sprayer easily replacing parts



N.	COD.	Q	SPARE PARTS NAME
98	2.23.16.990	1	ROUND GASKET
99	8.17.71.801	1	COMPLETE CHAMBER
165	8.38.05.314.1	1	CHAMBER VALVE
443	8.17.71.301	1	TANK
473	8.17.71.601	1	M-12 ADAPTER WITH ADJUSTABLE CONICAL NOZZLE
474	8.17.71.305	1	CYLINDER GUARD
603	2.23.99.439.16	1	ROUND GASKET Ø15
653	8.28.27.320	1	TUBE WITH FILTER
728	8.17.71.602	1	M-18 ADAPTER WITH FAN NOZZLE
1078	8.17.71.802	1	COVER WITH HANDLE
1285	8.17.71.603	1	SHAFT WITH JOINT
	8.17.71.200	1	INSTRUCTION SHEET
	8.17.71.201	1	PACKAGING