



The **IK INOX/SST 6-10 sprayers** are characterized by their great robustness, ease of use and quality of materials. They have been created for use with vegetable and animal oils, low-viscosity release oils, neutral (non-chlorinated) cleaning agents, hydrocarbon-based solvents, lubricants and petroleum products.

The IK INOX/SST 10 includes a connector for compressed air.



Sectors in which to use

- Building
- Cleaning and disinfection
- Industry and maintenance
- Pest control

Products with which to use

optimal Solvent-based pesticides, oils, solvents and petroleum by-products



	IK INOX/SST
Oils, solvents and petroleum by-products	✓
Acids	✗
Alkalis and ketones	✗
Alcohols	L
Disinfectants	✓
Solvent based pesticides	✓
Neutral products	✓
High pressure	✓
Hot chemicals	✓
Weather resistance	✓

L *Optimal* ✓ *Limited* ✗ *Not valid*

Technical information

Technical information	INOX 6	INOX 10
VALVE	Tared at 6 bar - 87 psi despressurizable	
HOSE	1.8 m - 70.8 inches	
STANDARD NOZZLES	Adjustable conical nozzle and fan	
LANCE	50 cm - 19.6 inches stainless steel	
USEFUL CAPACITY	6 L - 1.6 US gal	10 L - 2.6 US gal
TOTAL CAPACITY	9 L - 2.4 US gal	13 L - 3.4 US gal
LITRES/MIN. 3 BAR	0.5 l/min - 0.13 gal/min	
GROSS WEIGHT	4.4 kg - 9.7 lb	4.9 kg - 10.8 lb
NET WEIGHT	4 kg - 8.8 lb	4.5 kg - 9.9 lb

Logistics data

Logistics data	INOX 6	INOX 10
CODE	8.33.73	8.33.74
EAN	84.14685.10226.3	84.14685.10227.0
CONDITIONING	1 unit	
UNITS PER PALLET	24 units	16 units
DIMENSIONS PER PALLET EU	1200 x 800 x 1180	1200 x 800 x 1060

Functional information



Stainless steel handle and lance



Integrated funnel in tank



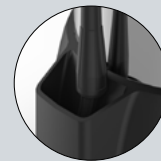
Safety valve with depressurisation option



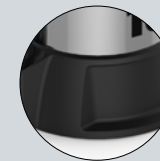
Pressure gauge



Carrying straps for over shoulder transport



Parking for lance



Stable base with footrest



Parking for the chamber during filling



ACCESSORIES



Personalize your sprayer adapting it to your application needs (height, hard-to-reach areas...)



FLEX PIPE 0.5 M - 19.68 INCH
Reference 8.38.77.813

A flexible pipe of 0.5 m - 19.68 inch for applications in places that are hard to reach. Do not use it with acid or corrosive products.



FLEX PIPE 0.25 M - 9.84 INCH
Reference 8.38.77.810

A flexible pipe of 0.25 m - 9.84 inch for applications in places that are hard to reach. Do not use it with acid or corrosive products.



**3.2 M - 10.5 FEET
TELESCOPIC LANCE**
Reference 8.35.40.913
**5.4 M - 17.7 FEET
TELESCOPIC LANCE**
Reference 8.35.40.915

A fibreglass lances of 3.2 m - 10.5 feet and 5.4 m - 17.7 feet for high spraying. Adaptable to sprayers and compression sprayers (5 L to 20 L - 1.32 gallons to 5.28 gallons). Do not use with acids or solvents.



EXTENSION 0.5 M - 19.68 INCH
Reference 8.34.60.943

A fibreglass extension of 0.5 m - 19.68 inch for horizontal and vertical applications in places that are hard to reach. Light, manageable and easy to assemble.



**IK INOX/STT COMPRESSED AIR
CONNECTOR**
Reference 8.32.72.804

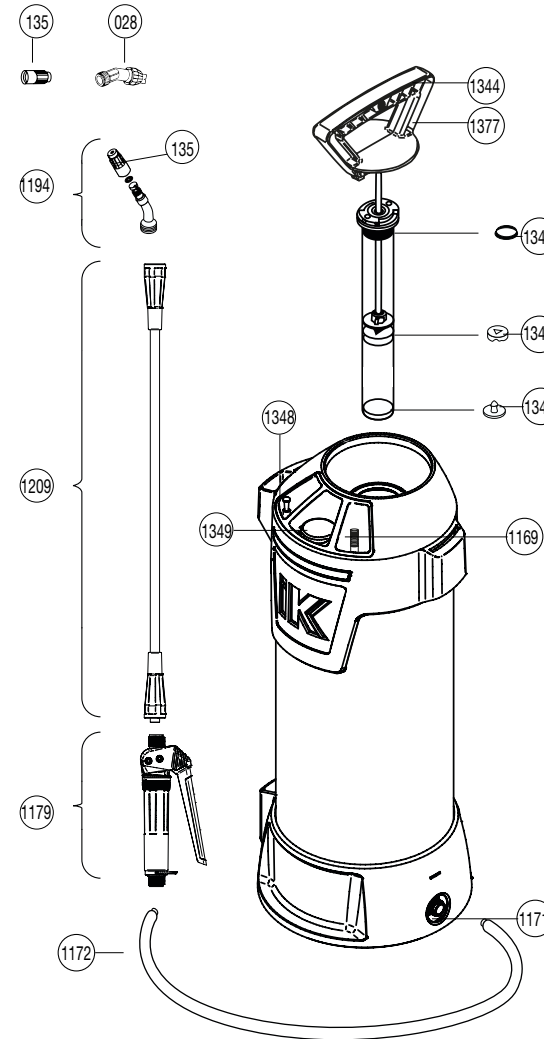
Brass plug to connect the air compressor.



SPARE PARTS



Extend the service life of your sprayer easily replacing parts



N.	COD.	Q	SPARE PARTS NAME
028	8.34.44.815.1	1	COMPLETE ELBOW
135	8.39.02.323	2	NOZZLE Ø 1
1169	8.32.72.604	1	INOX/SST 10 AIR CONNECTOR
1171	8.32.72.605	1	COMPLETE ADAPTER
1172	8.32.72.835	1	HOSE
1179	8.18.75.816	1	COMPLETE HANDLE
1194	8.32.72.803	1	ELBOW WITH NOZZLE
1209	8.32.72.828	1	LANCE TUBE
1344	8.33.72.601	1	INOX/SST 10 PUMP
1345	8.33.72.312	1	O-RING
1346	8.33.72.313	1	COLLAR SEAL
1347	8.33.72.314	1	VALVE
1348	8.33.72.602	1	SAFETY VALVE
1349	8.33.72.603	1	PRESSURE GAUGE
1377	8.33.73.601	1	INOX/SST 6 PUMP
	8.33.73.200	1	INSTRUCTION SHEET
	8.33.74.201	1	INOX/SST 10 PACKAGING
	8.33.73.201	1	INOX/SST 6 PACKAGING