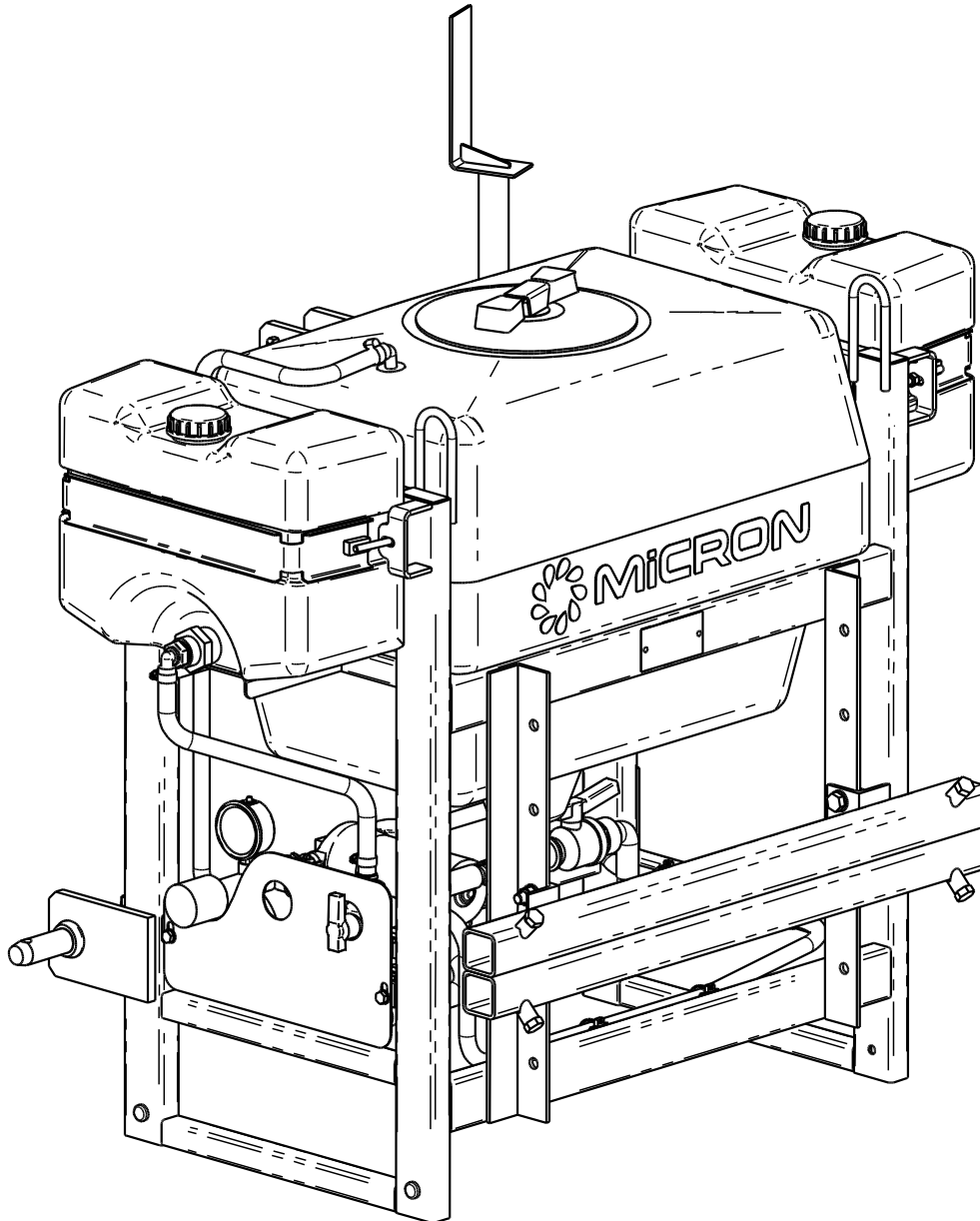




Tank 100

100 litre tank system with integral rinse tank and hand wash



Parts Catalogue

Publication Part No: 8708

Revision: 1

Edition Notice

Prepared and printed by or on behalf of:



This publication covers the following products:

100 litre Tank - Type Tank/100

This document is prepared for Micron Sprayers Ltd. their agents and clients. The document should be taken in its entirety. No responsibility can be accepted, nor can consent be assumed for the part reproduction, editing, extract or quotation taken out of context of this document.

All rights reserved. No part of this publication may be reproduced, stored in a retrieval system, or transmitted in any form or by any means, electronic, mechanical, photocopying, recording or otherwise, without the prior permission of Micron Sprayers Ltd.

Copyright © Micron Sprayers Ltd. 2013

Whilst every effort has been made to ensure the accuracy of this document, any errors or inaccuracies should be reported to Micron Group or their agents.



Bromyard Industrial Estate
Bromyard
Herefordshire
HR7 4HS
U.K.

T +44 (0)1885 482397
F +44 (0)1885 483043
E enquiries@micron.co.uk
www.micron.co.uk

Micron Group is a trading name of Micron Sprayers Ltd. Company Registration No. 00529633 England & Wales

Table of Contents

1	Tanks and Plumbing System	6
2	Frame Components	10
2.1	Frame Components (Tool Mount).....	12

Only use spare parts recommended by Micron Group, their agents and/or distributors.

The use of parts not specifically recommended by micron group, their agents and/or distributors may void any warrantee agreements.

Spare parts should only be fitted by suitably qualified and/or experienced persons.

When ordering spare parts, please specify the following information:

- Serial number of system/unit.
- Approximate date of manufacture.
- Description of part.
- Part number as shown in this section.
- Quantity required.

For spare parts and accessories contact:



Bromyard Industrial Estate

Bromyard

Herefordshire

HR7 4HS

U.K.

T +44 (0)1885 482397

F +44 (0)1885 483043

E enquiries@micron.co.uk

www.micron.co.uk

Or your authorised agent:

Agent / Distributor details:

1 TANKS AND PLUMBING SYSTEM

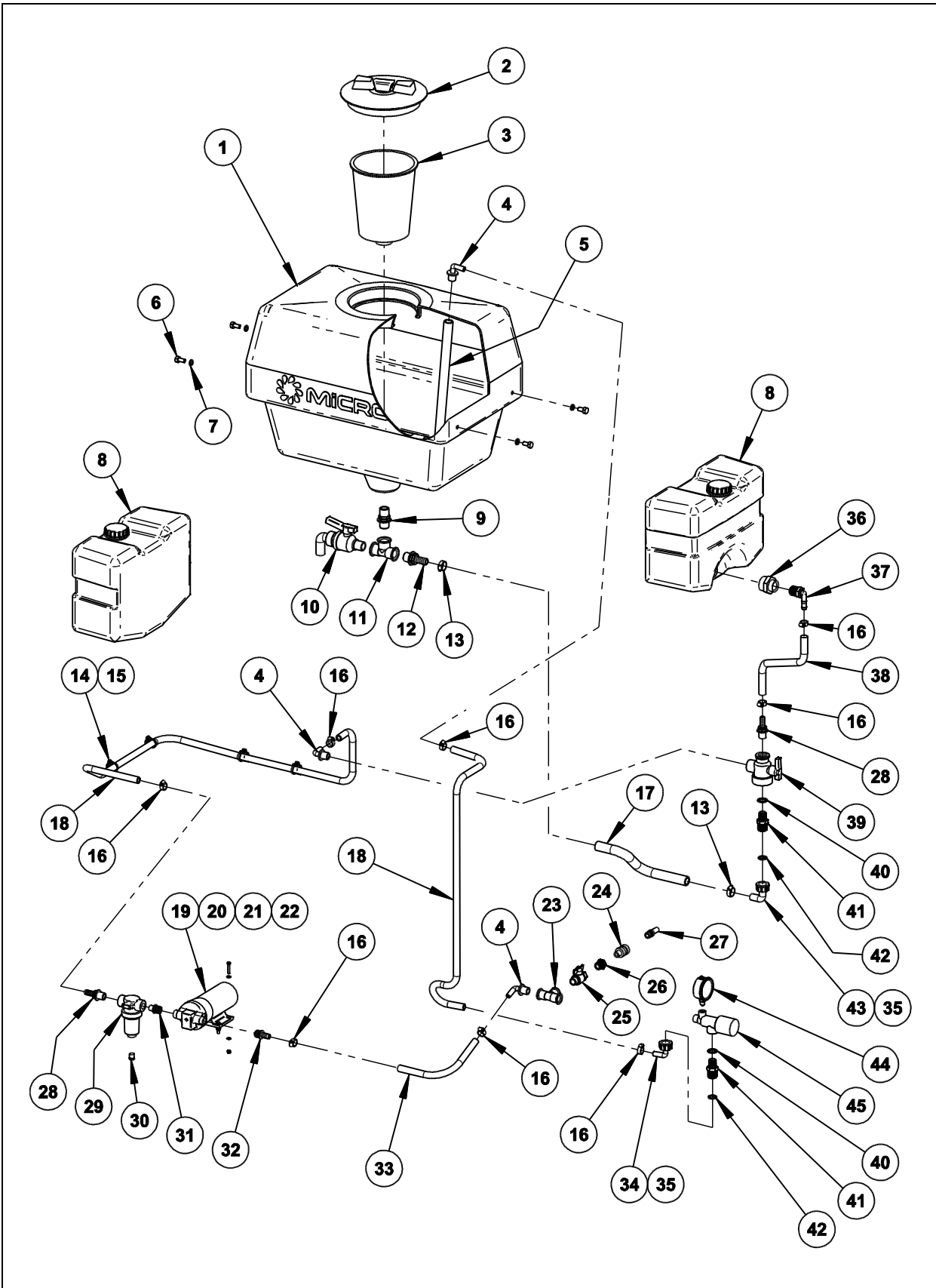
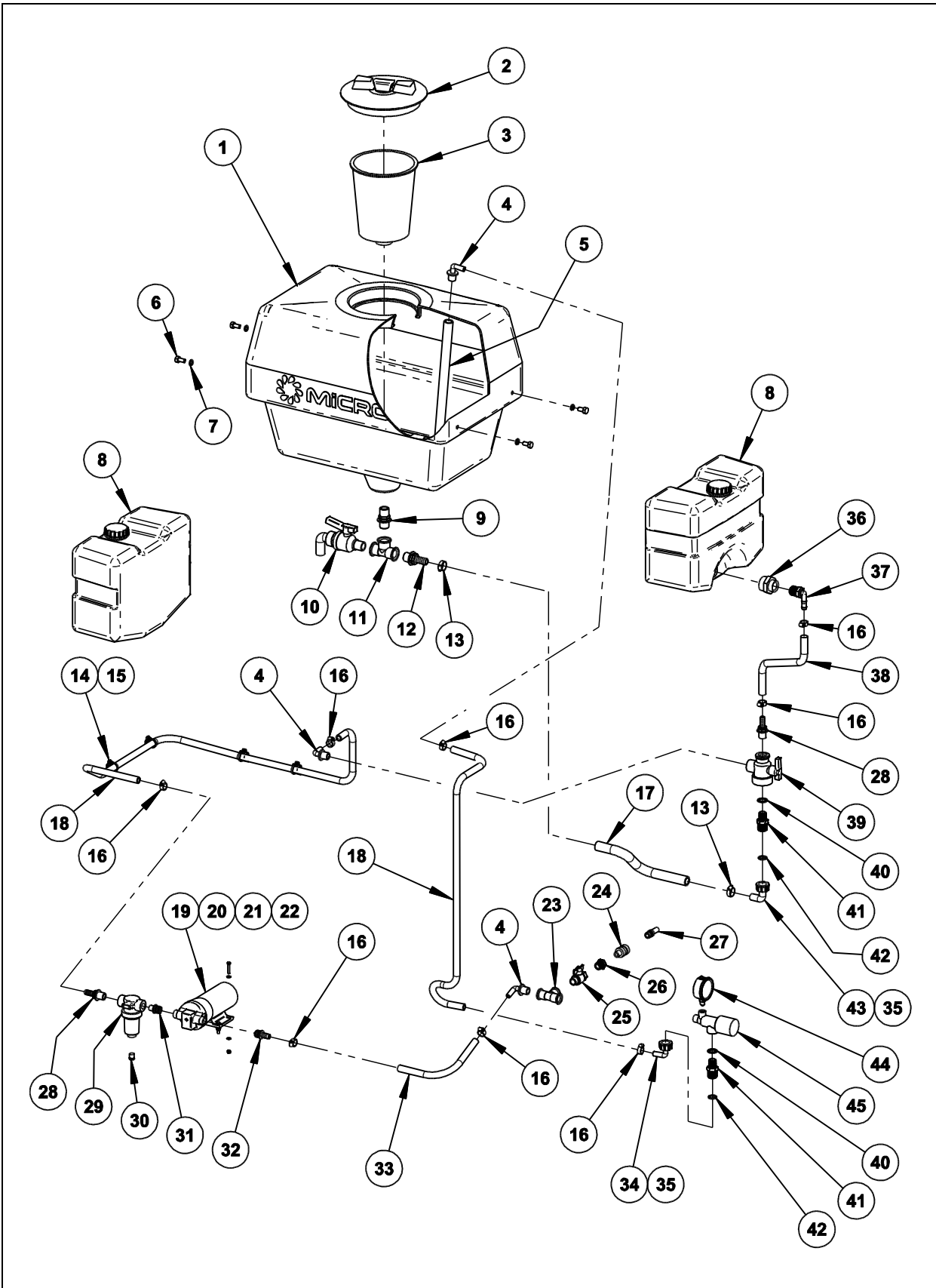


Figure 1 – Tanks and Plumbing System

Tanks and Plumbing System – Parts List

ITEM	PART NO.	DESCRIPTION	QTY.
1	5823	100L TANK	1
2	AJ6201a	TANK LID WITH AIR VENT	1
3	AJ6200	FILTER BASKET STRAINER	1
4	7827	ELBOW 1/2 X 13MM	3
5	8262	DOWNPIPE 380MM	1
6	5967	SCREW, M10X20 HEX, S/S	4
7	5972	WASHER M10 SPRING	4
8	7710	TANK, 15L, HAND-WASHING	2
9	7817	ADAPTOR 3/4" BSPM/M	1
10	7861	TAP BALL VALVE	1
11	7818	TEE 3/4"F	1
12	7819	HOSE BARB 3/4" X 19	1
13	5464	CLIP 25MM	2
14	AJ6418	CABLE TIE SMALL	4
15	8507	CABLE TIE HOLDER 28MM SQ	4
16	5098	CLIP 20MM	8
17	8116	HOSE 3/4" REINFORCED BLACK	0.3m
18	8115	HOSE 1/2" REINFORCED BLACK	0.2m
19	7413	PUMP - 18.9LPM - 2.8 BAR	1
20	5727	SCREW M6 X 30 HEX	4
21	6017	WASHER, M6	8
22	5984	NUT, M6 NYLOC	4

Tanks and Plumbing System (continued)



Tanks and Plumbing System – Parts List (continued)

23	7858	TEE 1/2"F	1
24	8075	QUICK RELEASE COUPLER 1/2" X 3/8"BSP	1
25	5900	VALVE 1/2"BSPM X 1/2" BSPF T-BAR	1
26	8074	REDUCING BUSG 1/2"M X 3/8" F	1
27	8076	QUICK RELEASE COUPLE 1/2" M	1
28	7825	HOSE BARB 1/2" X1/2" BSP	2
29	8043	FILTER STRAINER	1
30	8278	PLUG 1/4" BSP	1
31	7414	QUAD X 1/2" BSP BARB	1
32	7857	QUAD X 1/2" BSPM	1
33	8115	HOSE 1/2" REINFORCED BLACK	0.3m
34	8328	ELBOW 1/2 X 13MM	1
35	8330	FLYNUT 3/4"	2
36	7823	REDUCER 1" F X 3/4" F	1
37	7833	ELBOW 3/4"BSPM X 1/2" BARB 90 DEG	1
38	8115	HOSE 1/2" REINFORCED BLACK	0.5m
39	7688	3-WAY BALL VALVE - L PORT	1
40	7982	SELF CENTERING BONDED SEAL, 1/2", HYDRAULIC	2
41	8334	ADAPTER 3/4" X 1/2" BSPMM	2
42	8331	GASKET 3/4"	2
43	8329	ELBOW 1/2 X 19MM	1
44	6677	PRESSURE GAUGE 0-4 BAR	1
45	7670	PRESSURE RELIEF VALVE - 1/2" - 0-4 BAR	1

2 FRAME COMPONENTS

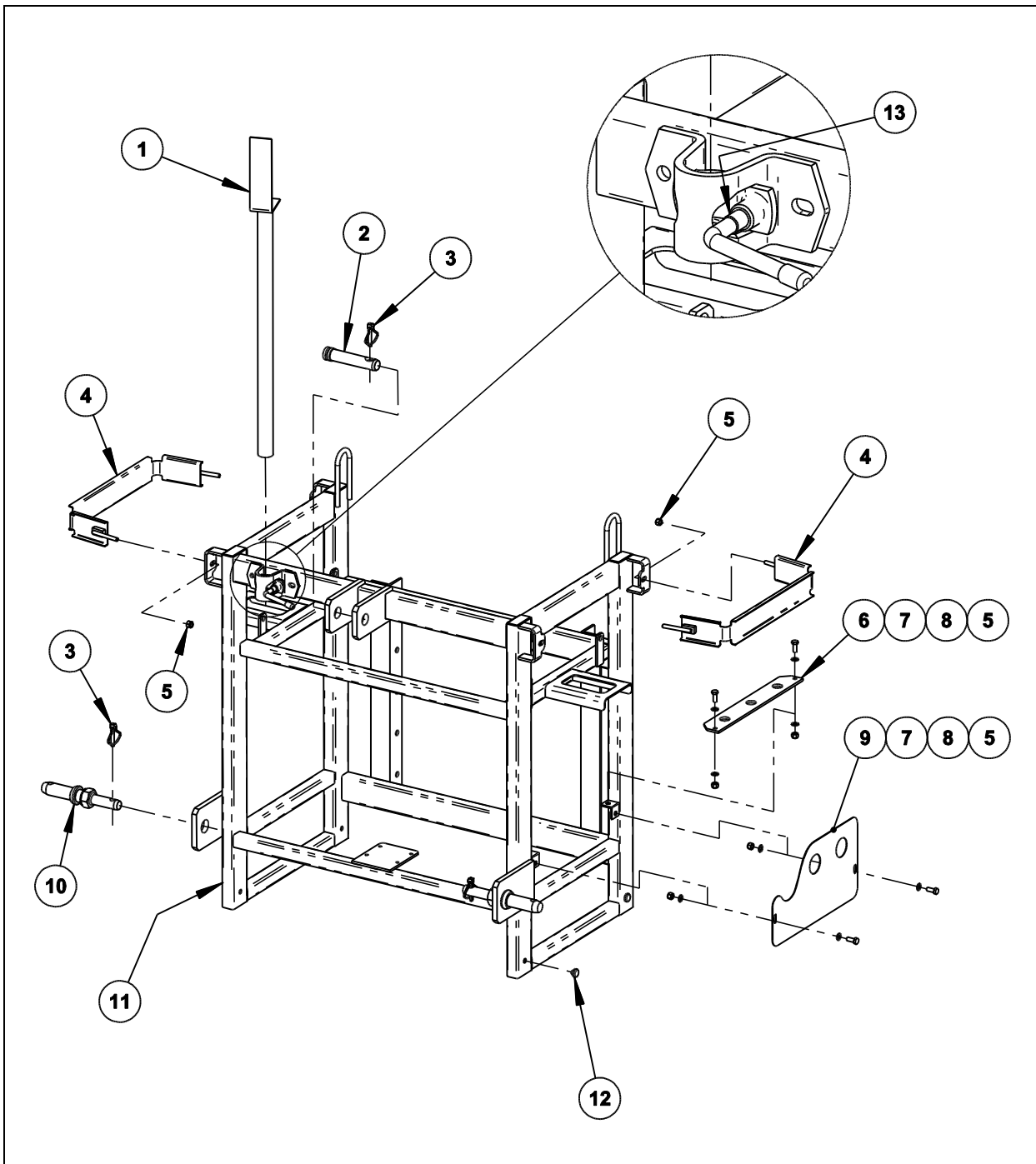


Figure 2 - Frame Components

Frame Components - Parts List

ITEM	PART NO.	DESCRIPTION	QTY.
1	8073	BRACKET - BACK PLATES	1
2	7924	CAT. 2 TOP LINK PIN	1
3	6554	LYNCH PIN	3
4	7769	15L TANK CLAMP	2
5	6514	NUT, M8 NYLOC	8
6	7771	VALVE BRACKET	1
7	4217	SCREW M8 X 20	4
8	6900	WASHER, M8	8
9	7772	VALVE COVER	1
10	6806	DUAL PIN	2
11	8011	100L TANK FRAME	1
12	8338	GROMMET 10MM	4
13	7200	CLAMP COMPONENTS SUPPLIED AS A SET	1

2.1 Frame Components (Tool Mount)

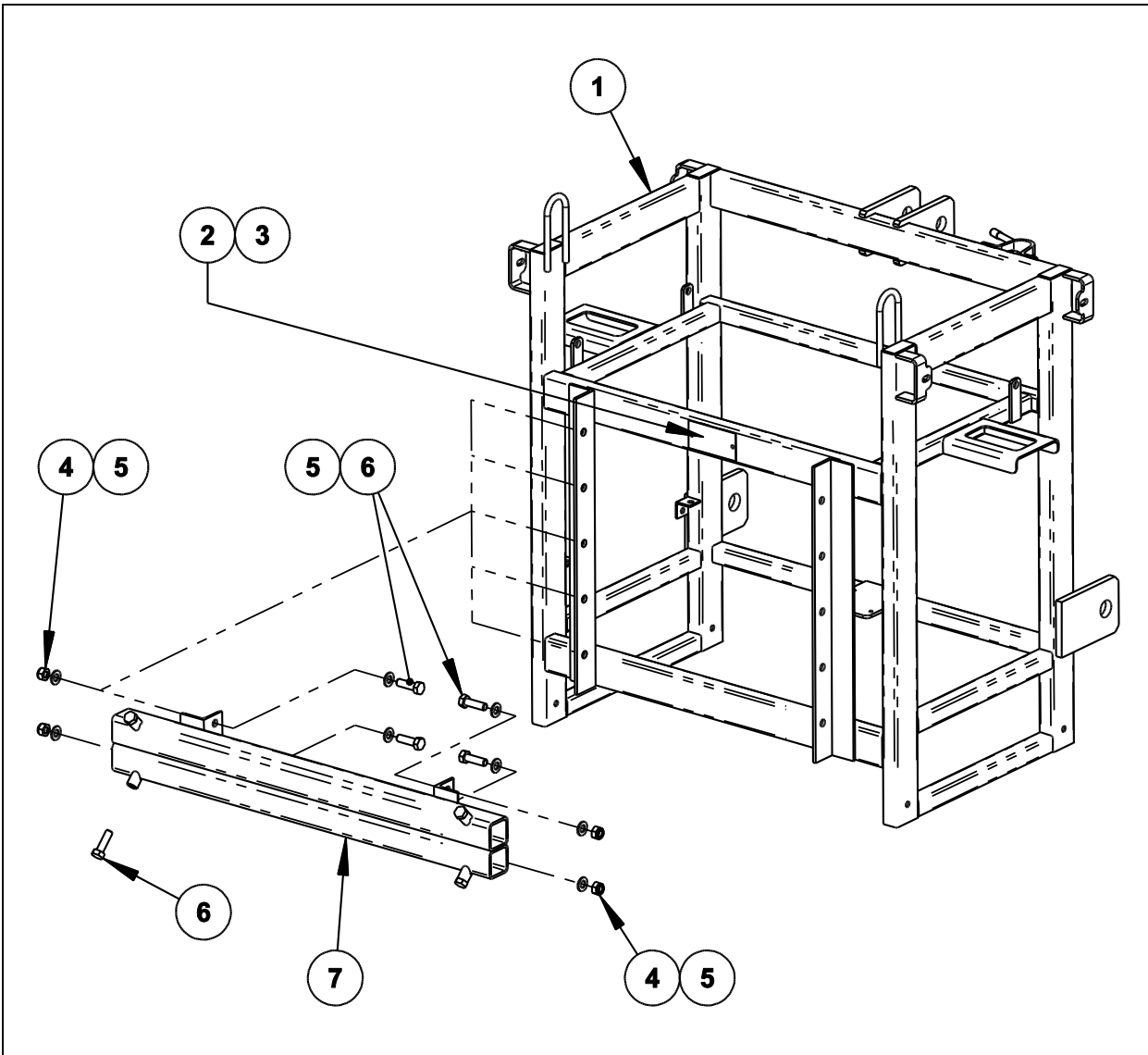


Figure 3 - Frame Components (Tool Mount)

Frame Components (Tool Mount) - Parts List

ITEM	PART NO.	DESCRIPTION	QTY.
1	8011	100L TANK FRAME	1
2	6316	SERIAL PLATE	1
3	5651	RIVET 3 X 12MM FLATTENED	2
4	5177	NUT, M12 NYLOC	4
5	6567	WASHER, M12 FLAT	8
6	6565	SCREW M12X40	8
7	8510	BRACKET ADJUSTMENT TUBE	1

NOTES

Copyright © Micron Sprayers Ltd. 2013

General Enquiries:

Micron Group
Bromyard Industrial Estate,
Bromyard, Herefordshire,
HR7 4HS, U.K.

T +44 (0)1885 482397

F +44 (0)1885 483043

E enquiries@micron.co.uk

Australian Enquiries:

Micron Group
P.O. Box 1246, Berri 5343,
South Australia
T +61 (0)8 8582 4077
E enquiries@enviromist.com.au